

# SHOULDER



## ArthVIEW® 4K TELESCOPES

State-of-the-art Arthroscopes to achieve excellent image quality and finest details in Ultra High Definition.

# 4K



### 0° DIRECTION OF VIEW

330mm working length  
405mm overall length    225-140-400



### 30° DIRECTION OF VIEW

330mm working length  
405mm overall length    225-140-430

## ArthVIEW® TELESCOPES, Ø 4.0mm

Full HD high definition pictures with increased detail-resolution through newest CAD-designed rod-lens systems.

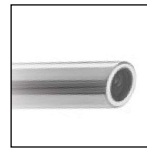
**FULL HD**

0° 30° 45° 70°



### 0° DIRECTION OF VIEW

175mm working length 225-140-000



### 30° DIRECTION OF VIEW

175mm working length 225-140-030



### 45° DIRECTION OF VIEW

175mm working length 225-140-045



### 70° DIRECTION OF VIEW

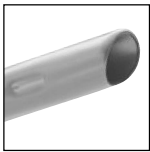
175mm working length 225-140-070

## ArthFLOW® SHEATH SYSTEM

Color coded, 360° rotating system with telescope stabilizing, for use with Ø 4.0mm telescopes.



For 30°



Universal  
0°/30°/45°/70°



Operating sheath with 2 stopcocks,  
Ø 5.5mm, blue colour code

225-500-255 for 30°

225-500-355 for 0°/30°/45°/70°



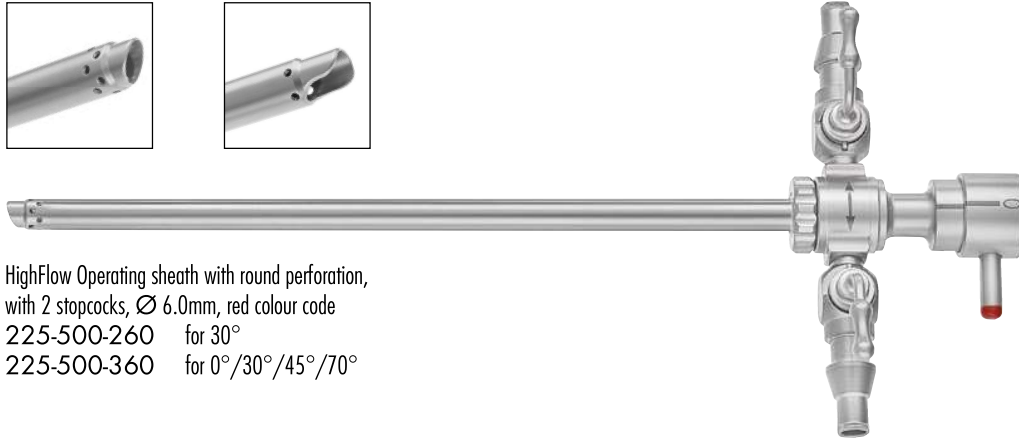
225-500-555 Blunt Obturator for Operating sheath Ø 5.5mm, blue colour code



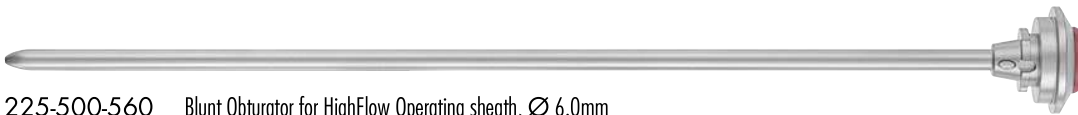
225-500-655 Sharp Trocar for Operating sheath Ø 5.5mm, blue colour code



HighFlow Operating sheath with round perforation,  
with 2 stopcocks, Ø 6.0mm, red colour code  
225-500-260 for 30°  
225-500-360 for 0°/30°/45°/70°



225-500-560 Blunt Obturator for HighFlow Operating sheath, Ø 6.0mm  
red colour code



225-500-660 Sharp Trocar for HighFlow Operating sheath, Ø 6.0mm,  
red colour code

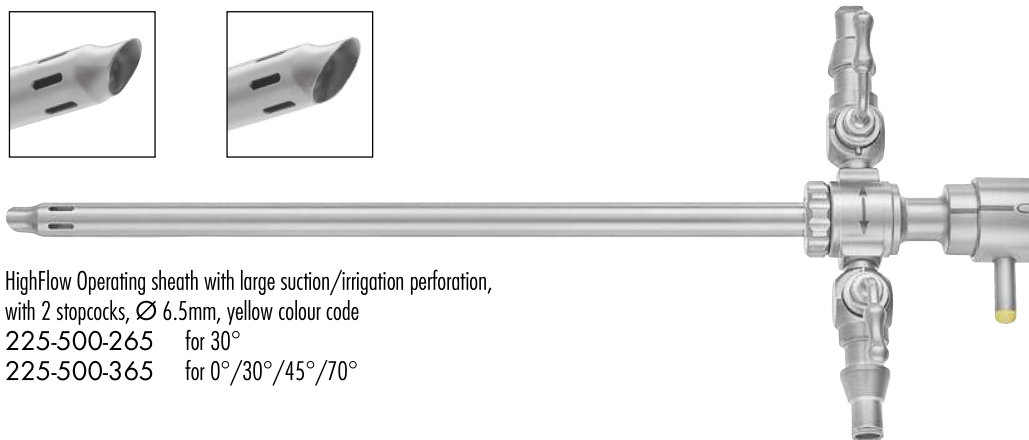


For 30°

Universal  
0°/30°/45°/70°



HighFlow Operating sheath with large suction/irrigation perforation,  
with 2 stopcocks, Ø 6.5mm, yellow colour code  
225-500-265 for 30°  
225-500-365 for 0°/30°/45°/70°



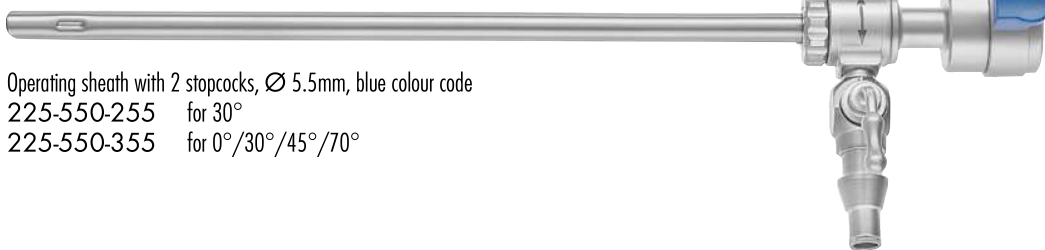
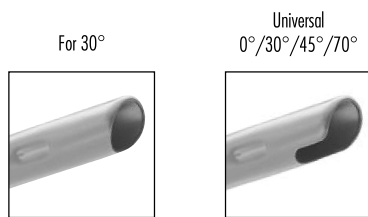
225-500-565 Blunt Obturator for HighFlow Operating sheath, Ø 6.5mm,  
yellow colour code



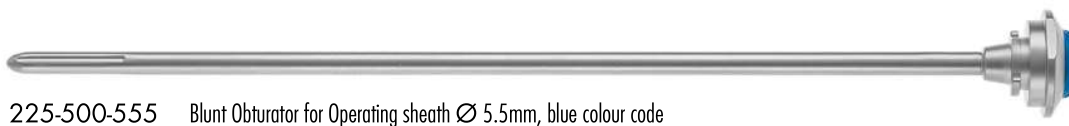
225-500-665 Sharp obturator for HighFlow Operating sheath, Ø 6.5mm,  
yellow colour code



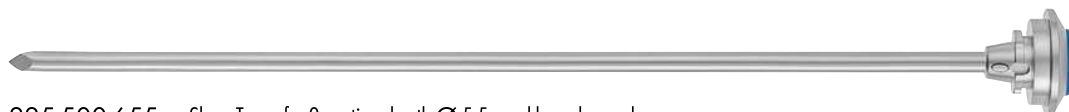
## ArthFLOW® SHEATH SYSTEM WITH QUICK-LOCK



Operating sheath with 2 stopcocks, Ø 5.5mm, blue colour code  
 225-550-255 for 30°  
 225-550-355 for 0°/30°/45°/70°



225-500-555 Blunt Obturator for Operating sheath Ø 5.5mm, blue colour code



225-500-655 Sharp Trocar for Operating sheath Ø 5.5mm, blue colour code

For 30°



Universal  
0°/30°/45°/70°



HighFlow Operating sheath with round perforation,  
with 2 stopcocks, Ø 6.0mm, red colour code  
225-550-260 for 30°  
225-550-360 for 0°/30°/45°/70°



225-500-560 Blunt Obturator for HighFlow Operating sheath, Ø 6.0mm, red colour code

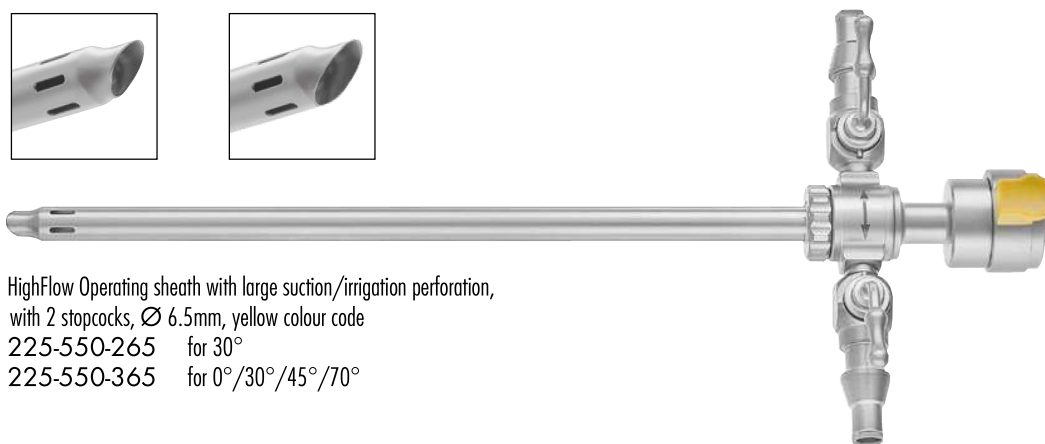


225-500-660 Sharp Trocar for HighFlow Operating sheath, Ø 6.0mm, red colour code

For 30°



Universal  
0°/30°/45°/70°



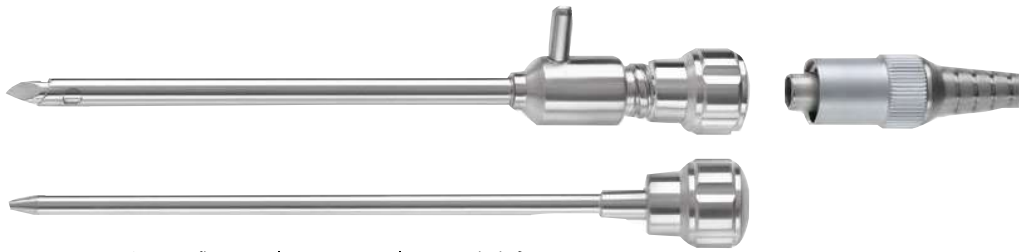
HighFlow Operating sheath with large suction/irrigation perforation,  
with 2 stopcocks, Ø 6.5mm, yellow colour code  
225-550-265 for 30°  
225-550-365 for 0°/30°/45°/70°



225-500-565 Blunt Obturator for HighFlow Operating sheath, Ø 6.5mm, yellow colour code



225-500-665 Sharp Trocar for HighFlow Operating sheath, Ø 6.5mm, yellow colour code



225-850-145 Inflow-Cannula 4.5mm, complete set with shaft, trocar with sharp tip, blunt obturator and irrigation adaptor

### Accessories for Suction- and Irrigation System



Irrigation Cannula set with 1 stopcock, including trocar and obturator

- 225-850-000 Ø 2.3mm
- 225-850-001 Ø 3.5mm



300-011-181 LuerLock tube connector, 9mm



- Obturator, blunt
- 225-850-002 Ø 2.3mm
  - 225-850-004 Ø 3.5mm



300-011-506 LuerLock tube connector, 6mm



- Obturator, sharp, 70mm working length
- 225-850-003 Ø 2.3mm
  - 225-850-005 Ø 3.5mm



225-852-000 Irrigation syringe, 100ml



- Guiding and changing rods for use with trocar sheath
- 225-865-027 Ø 2.7mm x 230mm
  - 225-865-030 Ø 3.5mm x 230mm
  - 225-865-040 Ø 4.0mm x 230mm



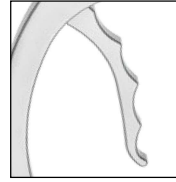
### SUTURE PASSER

Simultaneously one-handed passing and retrieving of suture

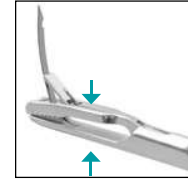
- Wide jaw opening and deep bite
- Minimal trauma at tissue penetration
- Reusable instrument and reliable construction



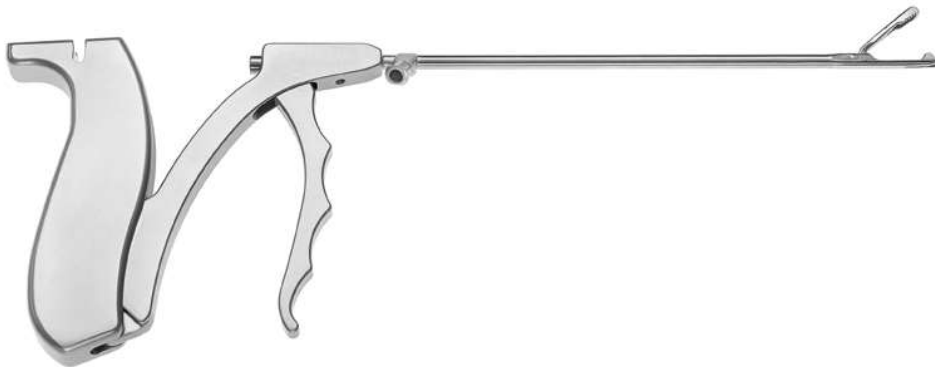
Automatic trap loop hold



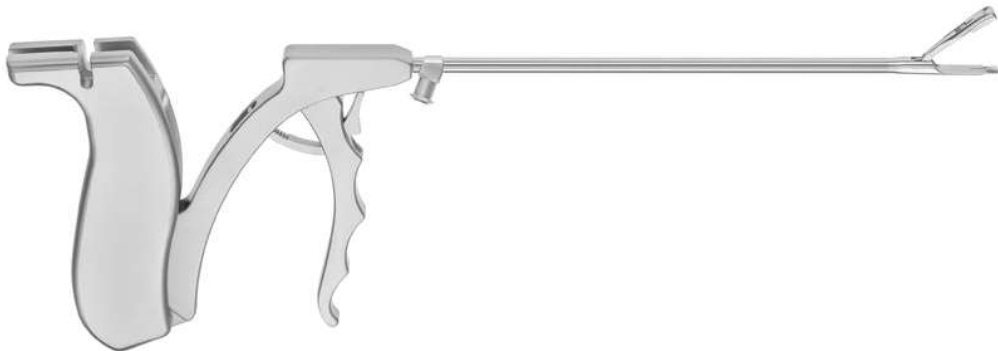
Strong grip with 4-finger trigger



Slim design



225-820-217 Suture Passer with trap door, frontal opening, without ratchet, 170mm working length



225-820-213 Suture Passer with trap door, frontal opening, with ratchet, 170mm working length



225-820-219 Needle with lateral opening, 0.3 x 240mm



225-225-225 Rotator Cuff Simulator (available on request)



225-259-000 Knot Pusher, single-hole, for sliding knots and half-stitches, modified distal tip for easy slipknots, 175mm



225-820-100 Suture Cutter, axial handle, Ø 4.2 mm, v-notch, left opened, 130 mm working length



225-820-101 Suture Cutter, ring handle, Ø 4.2 mm, v-notch, left opened, 130 mm working length



225-820-259 Fiber Retriever, straight, Ø 1.5mm pin 155mm working length



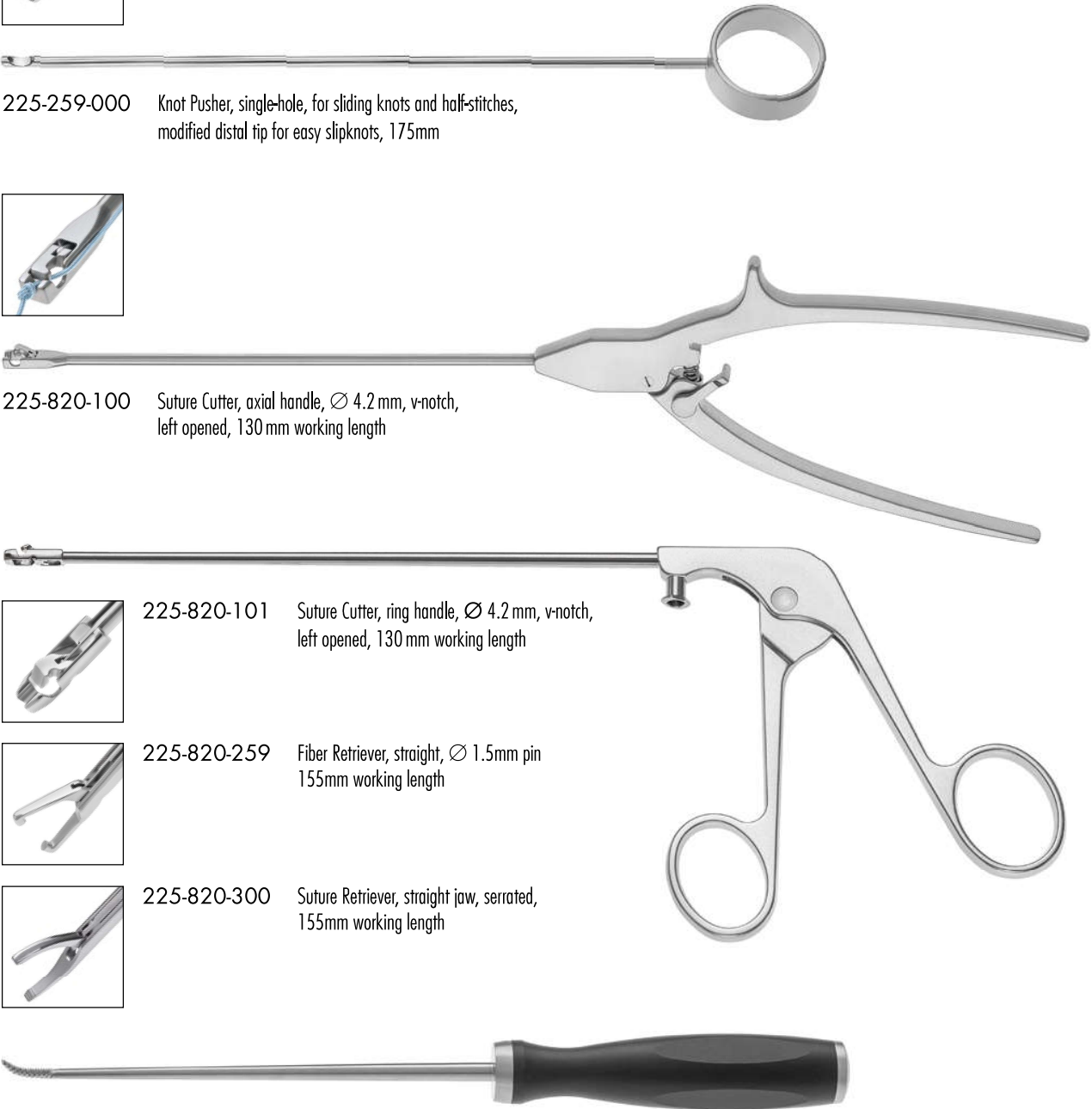
225-820-300 Suture Retriever, straight jaw, serrated, 155mm working length



225-600-630 Debridement Rasp, razor sharp, with PEEK handle

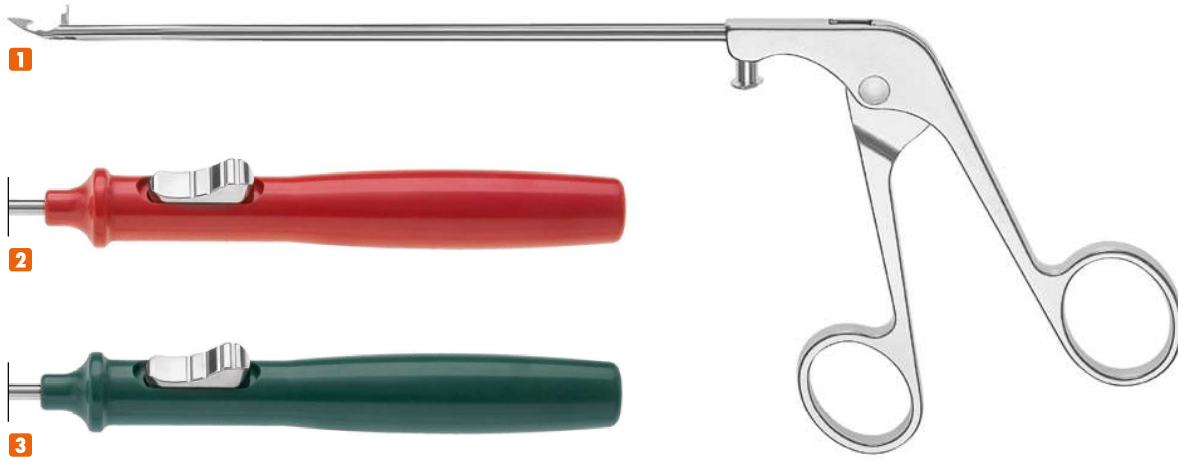


225-600-650 Tissue Elevator, precise, 15° angled, with PEEK handle



## SUTURE INSTRUMENTS

For rotator and labral repair



### Smart Hook



Left curved jaw

- 1** 225-820-307
- 2** 225-840-307



Right curved jaw

- 1** 225-820-309
- 3** 225-840-309

### Sixer



Twisted left

- 1** 225-820-306
- 2** 225-840-306



Twisted right

- 1** 225-820-308
- 3** 225-840-308

Birdy



Straight jaw, upcurved shaft

**1** 225-820-400

**2** 225-840-400



20° upwards angled

**1** 225-820-402

**2** 225-840-402



40° upwards angled

**1** 225-820-404

**2** 225-840-404



45° right angled

**1** 225-820-406

**2** 225-840-406



45° left angled

**1** 225-820-408

**2** 225-840-408