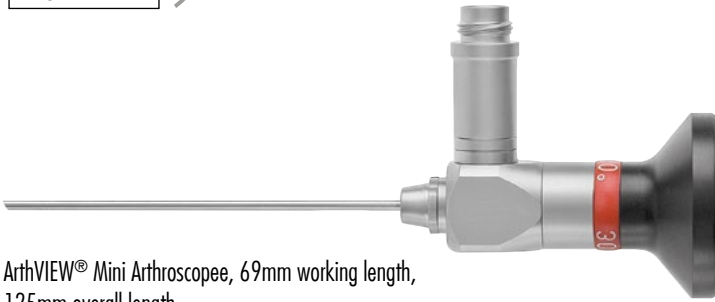


## SMALL JOINT

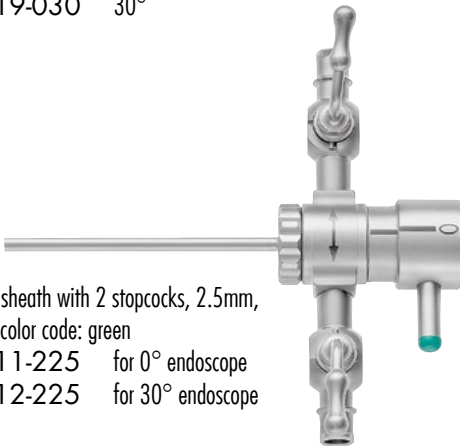


**1.9**  
1.9mm

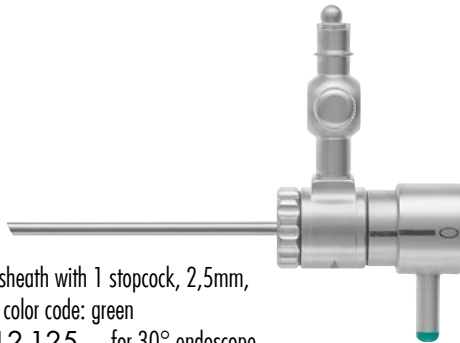
## ArthVIEW® MINI TELESCOPE AND SHEATH SYSTEM ArthFLOW®



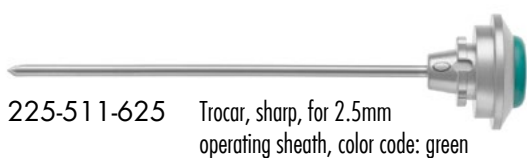
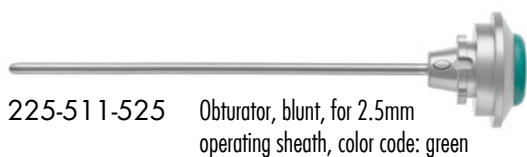
ArthVIEW® Mini Arthroscope, 69mm working length,  
125mm overall length  
225-019-000 0°  
225-019-030 30°



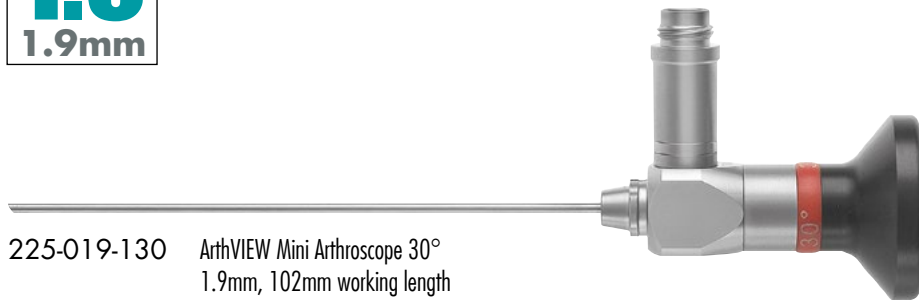
Operating sheath with 2 stopcocks, 2.5mm,  
rotatable, color code: green  
225-511-225 for 0° endoscope  
225-512-225 for 30° endoscope



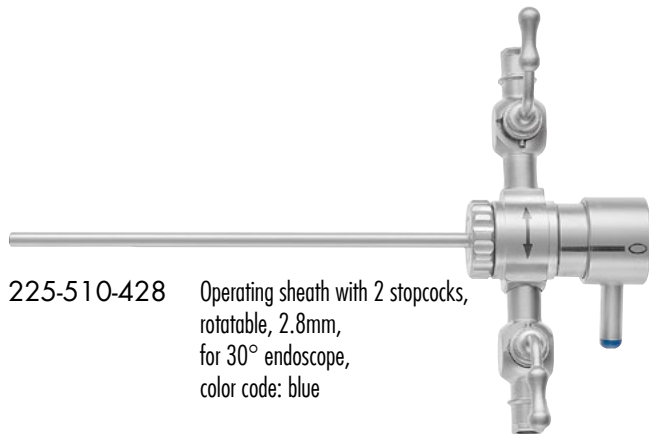
Operating sheath with 1 stopcock, 2.5mm,  
rotatable, color code: green  
225-512-125 for 30° endoscope,



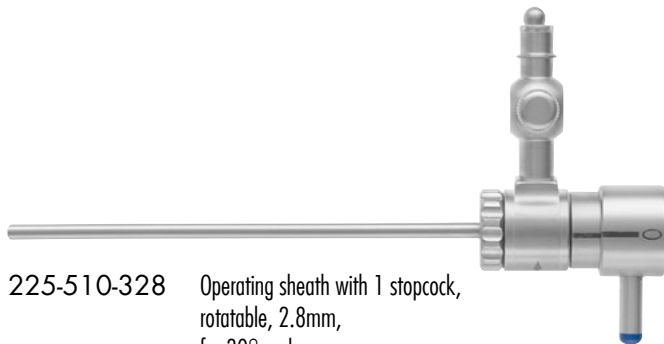
**1.9**  
1.9mm



225-019-130 ArthVIEW Mini Arthroscope 30°  
1.9mm, 102mm working length  
155mm overall length



225-510-428 Operating sheath with 2 stopcocks,  
rotatable, 2.8mm,  
for 30° endoscope,  
color code: blue



225-510-328 Operating sheath with 1 stopcock,  
rotatable, 2.8mm,  
for 30° endoscope,  
color code: blue



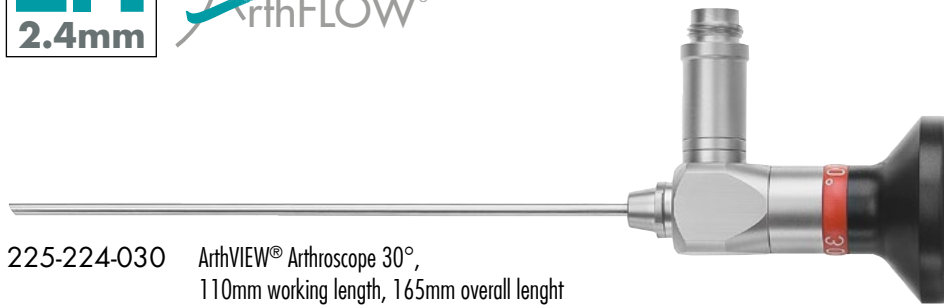
225-510-528 Obturator, blunt, for 2.8mm  
operating sheath, color code: blue



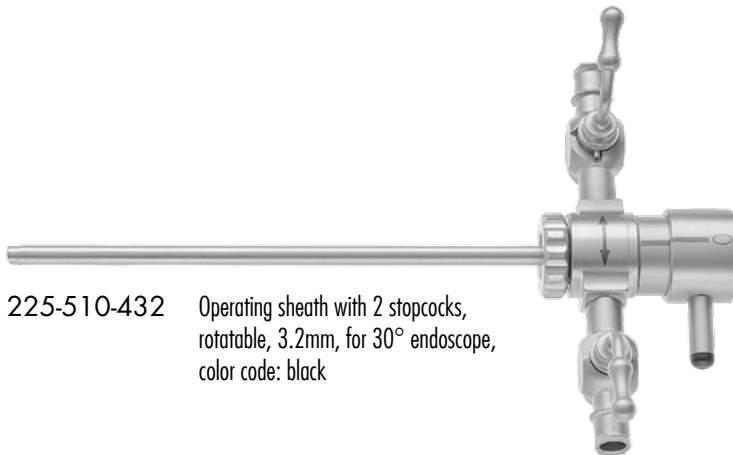
225-510-628 Trocar, sharp, for 2.8mm  
operating sheath, color code: blue

**2.4**  
2.4mm

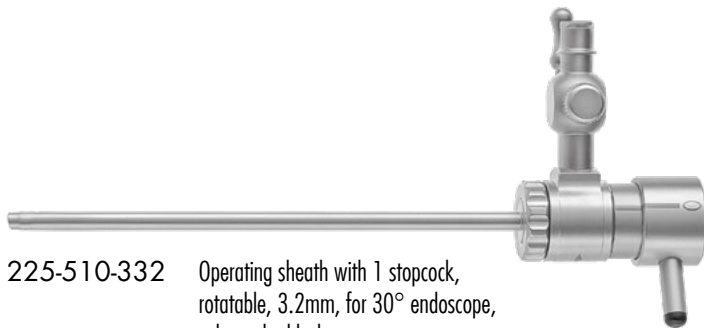
## ArthVIEW® TELESCOPE AND SHEATH SYSTEM ArthFLOW®



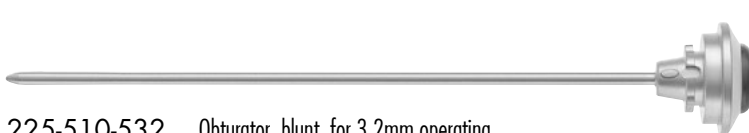
225-224-030 ArthVIEW® Arthroscope 30°,  
110mm working length, 165mm overall length



225-510-432 Operating sheath with 2 stopcocks,  
rotatable, 3.2mm, for 30° endoscope,  
color code: black



225-510-332 Operating sheath with 1 stopcock,  
rotatable, 3.2mm, for 30° endoscope,  
color code: black



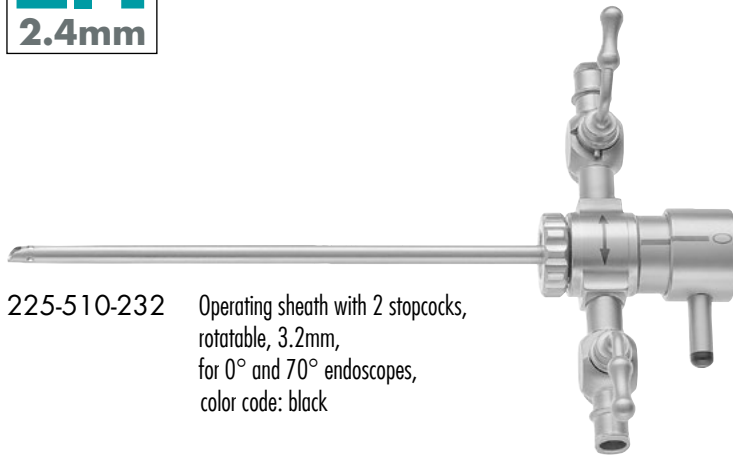
225-510-532 Obturator, blunt, for 3.2mm operating  
sheath, color code: black



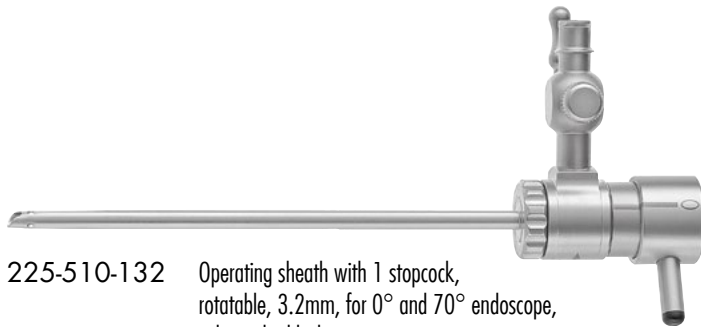
225-510-632 Trocar, sharp, for 3.2mm  
operating sheath, color code: black



**2.4**  
2.4mm



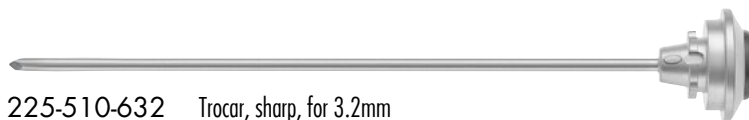
225-510-232 Operating sheath with 2 stopcocks, rotatable, 3.2mm, for 0° and 70° endoscopes, color code: black



225-510-132 Operating sheath with 1 stopcock, rotatable, 3.2mm, for 0° and 70° endoscope, color code: black



225-510-532 Obturator, blunt, for 3.2mm operating sheath, color code: black

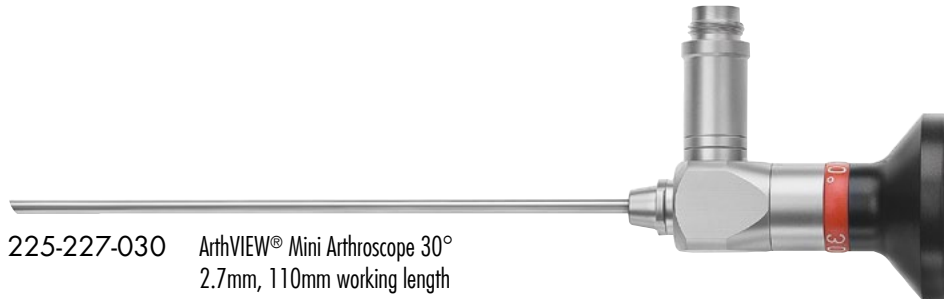


225-510-632 Trocar, sharp, for 3.2mm operating sheath, color code: black

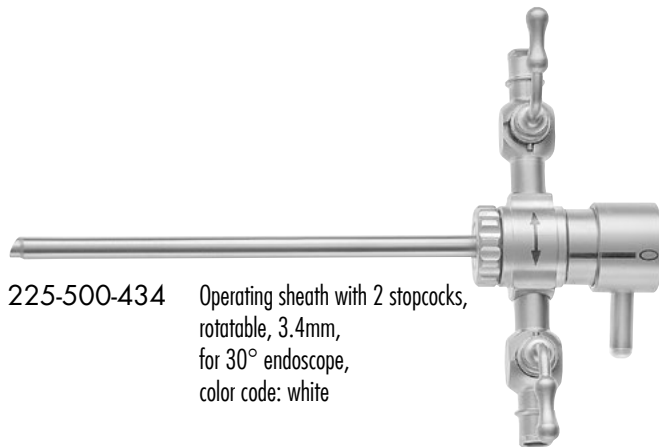


**2.7**  
2.7mm

## ArthVIEW® TELESCOPE AND SHEATH SYSTEM ArthFLOW®



225-227-030 ArthVIEW® Mini Arthroscope 30°  
2.7mm, 110mm working length



225-500-434 Operating sheath with 2 stopcocks,  
rotatable, 3.4mm,  
for 30° endoscope,  
color code: white

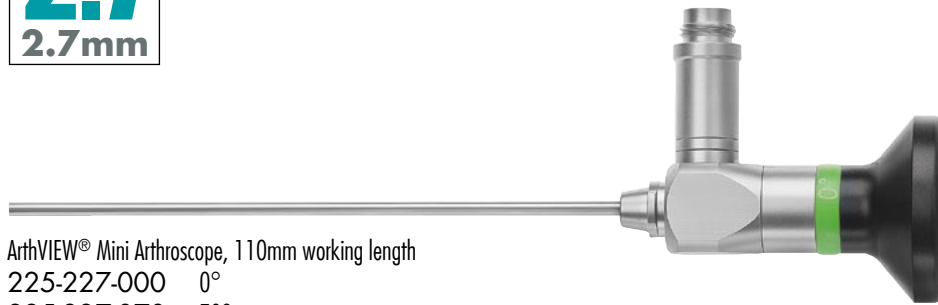


225-500-534 Obturator, blunt, for 3.4mm operating  
sheath, color code: white

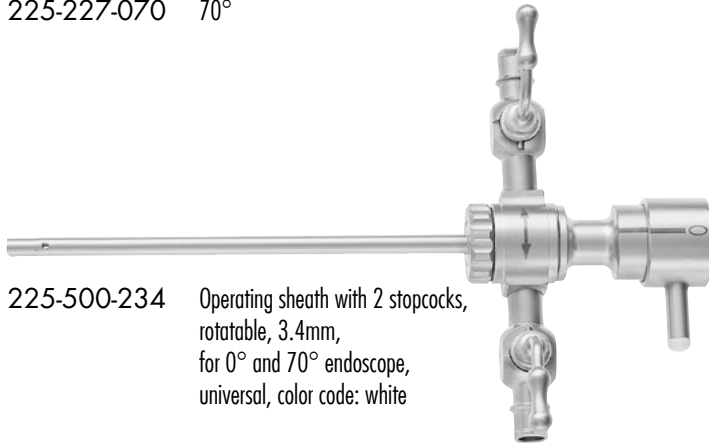


225-500-634 Trocar, sharp, for 3.4mm  
operating sheath, color code: white

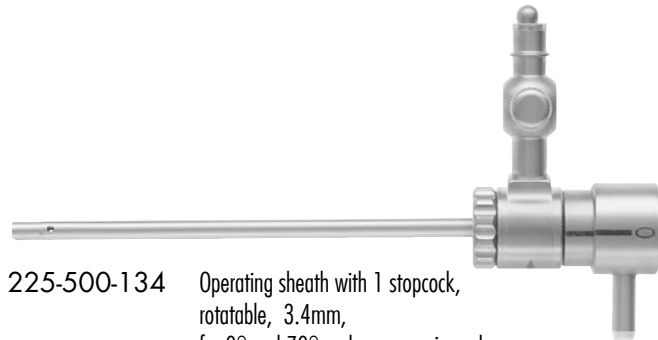
**2.7**  
2.7mm



ArthVIEW® Mini Arthroscope, 110mm working length  
225-227-000 0°  
225-227-070 70°



225-500-234 Operating sheath with 2 stopcocks, rotatable, 3.4mm, for 0° and 70° endoscope, universal, color code: white



225-500-134 Operating sheath with 1 stopcock, rotatable, 3.4mm, for 0° and 70° endoscope, universal, color code: white



225-500-534 Obturator, blunt, for 3.4mm operating sheath, color code: white

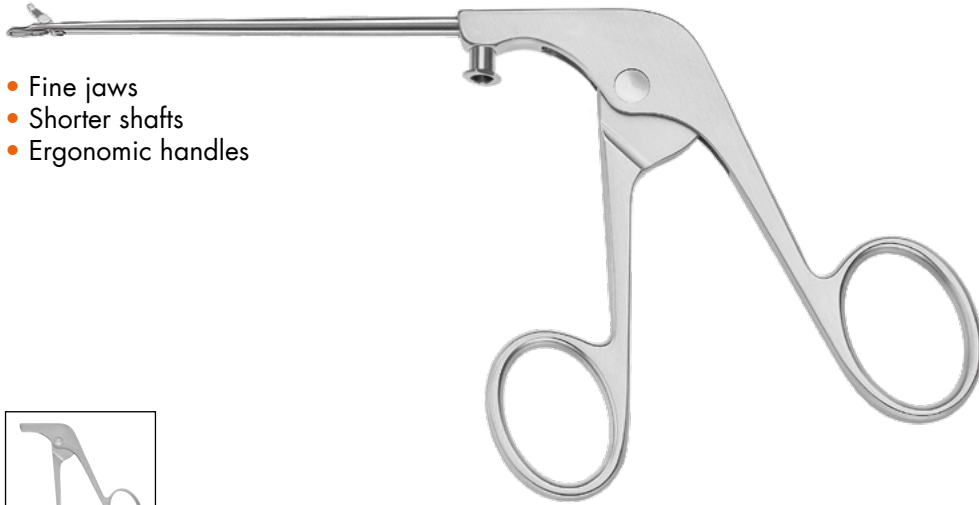


225-500-634 Trocar, sharp, for 3.4mm operating sheath, color code: white



## ArthVANCE® MINI PUNCHES

- Fine jaws
- Shorter shafts
- Ergonomic handles



RING  
HANDLE



- DUCKBILL MINI Punch cut 1.5mm
- 225-810-102 straight jaws, straight shaft
  - 225-810-105 Upbiter
  - 225-810-107 Straight jaws, left curved shaft
  - 225-810-109 Straight jaws, right curved shaft



- 225-810-202  
OVAL MINI PUNCH, straight jaws, straight shaft



- 225-810-302  
BLUNT NOSE MINI Basket Punch, straight jaws, straight shaft



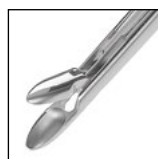
- 225-810-203  
OVAL MINI PUNCH, left jaws, straight shaft



- 225-810-204  
OVAL MINI PUNCH, right jaws, straight shaft



- 225-810-472  
HOOK SCISSORS, straight, 2.7mm Ø



- 225-810-930  
MINI RONGEUR, straight





SLIDE-  
LOCK HANDLE



225-810-820  
SHARK MINI Grasping Forceps, straight jaws, straight shaft



225-810-825  
ALLIGATOR MINI Grasping Forceps, straight jaws, straight shaft



PENCIL  
HANDLE



225-810-955  
Side Cutter MINI Basket Punch, Left side cutting, 2.2mm



225-810-957  
Side Cutter MINI Basket Punch, right side cutting, 2.2mm

## MINI INSTRUMENTS

Ø 2mm, 100mm working length



225-305-020 1:1  
Mini Punch



225-310-020 1:1  
Mini Scissors, upwards cutting



225-309-020 1:1  
Mini Grasping Forceps



225-311-020 1:1  
Mini Scissors, short, upwards cutting



Wire finger grip  
215-000-001 small  
215-000-002 medium  
215-000-003 large

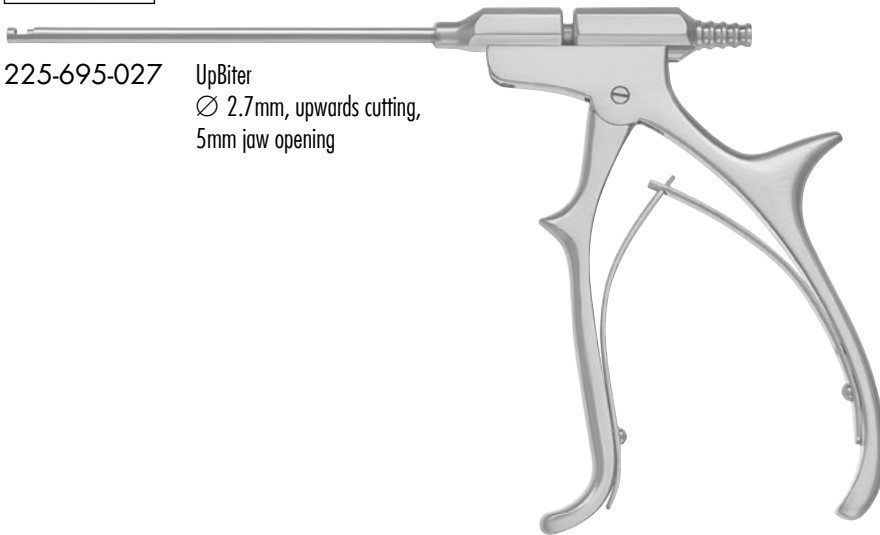
## ArthVANCE® SUCTION PUNCHES

with universal tube connector, 110mm working length



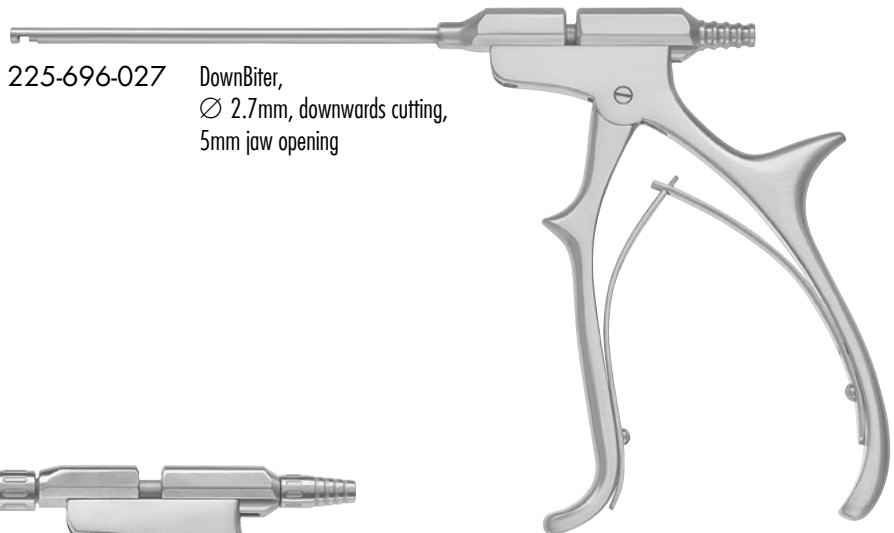
225-695-027

UpBiter  
 Ø 2.7mm, upwards cutting,  
 5mm jaw opening



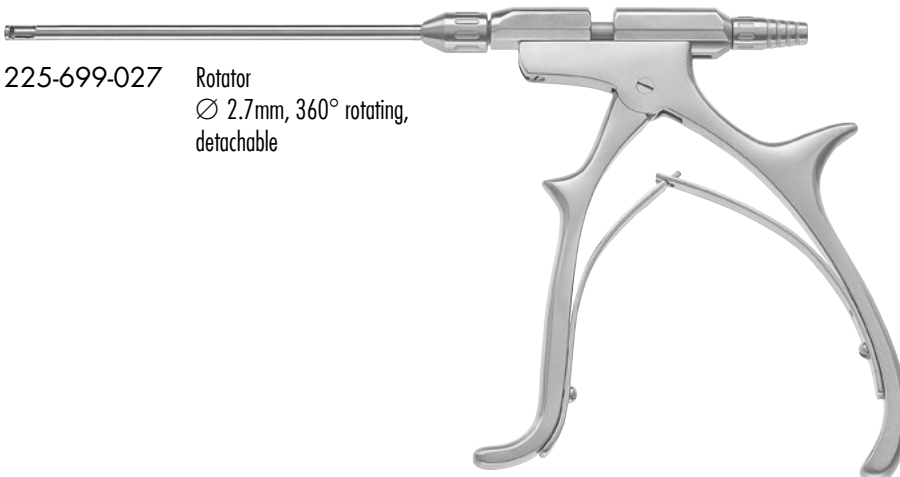
225-696-027

DownBiter,  
 Ø 2.7mm, downwards cutting,  
 5mm jaw opening



225-699-027









Rotator  
 Ø 2.7mm, 360° rotating,  
 detachable



### HAND INSTRUMENTS



90mm working length

	Exploring Probe, graduated, straight	225-090-001
	Mini Rasp, concave jaw	225-090-004
	Mini-Rasp, convex jaw	225-090-005
	Mini Knife	225-090-006
	Mini Knife	225-090-008
	Mini Knife	225-090-007
	Exploring Probe, graduated, curved	225-090-002
	Mini-Bone Curette	225-090-009



Hook Probe and Retractor, 40mm working length

225-400-102 2mm hook length, 90° angled hook

225-400-103 3mm hook length, 45° angled hook



Probe Hook, graduated, 1mm hook

225-100-115 ∅ 1.5mm, 75mm working length










225-100-123 ∅ 2.3mm, 140mm working length



225-100-004






Exploring Probe, 90° angled, Tip 1.0mm diameter, graduated, working length: 130mm, knurled handle



	Spoon, 3mm, angled tip	225-100-006
	Smilie Meniscotome, 3mm wide, straight cutting edge	225-100-020
	Smilie Meniscotome, 5mm wide, straight cutting edge	225-100-022
	Smilie Meniscotome 7mm wide, curved cutting edge	225-100-023
	Rosen Knife, toothed blade	225-100-025
	Scalpel Knife	225-100-034
	Banana Knife	225-100-029
	Hook Knife, reverse cutting	225-100-038
	Retrograde Knife, 45° angled blade	225-100-041

## RZ MINI CHONDRO PICKS



	25° angled	225-600-125
	45° angled	225-600-145
	60° angled	225-600-160
	90° angled	225-600-190
	115° angled	225-600-215

